

# Standard editing desk

...the smart solution for your media studio needs



MW VIDEO SYSTEMS



EV24

2400mm width

- available in two widths
- flat packed for speedy delivery
- easy self-assembly
- wide range of worktop finishes
- easily modified and customised with accessories
- a complete solution with power and cable management

Easy self-assembly



watch our fully interactive video tutorial at [www.eldeco.be](http://www.eldeco.be)



EV18

1800mm width

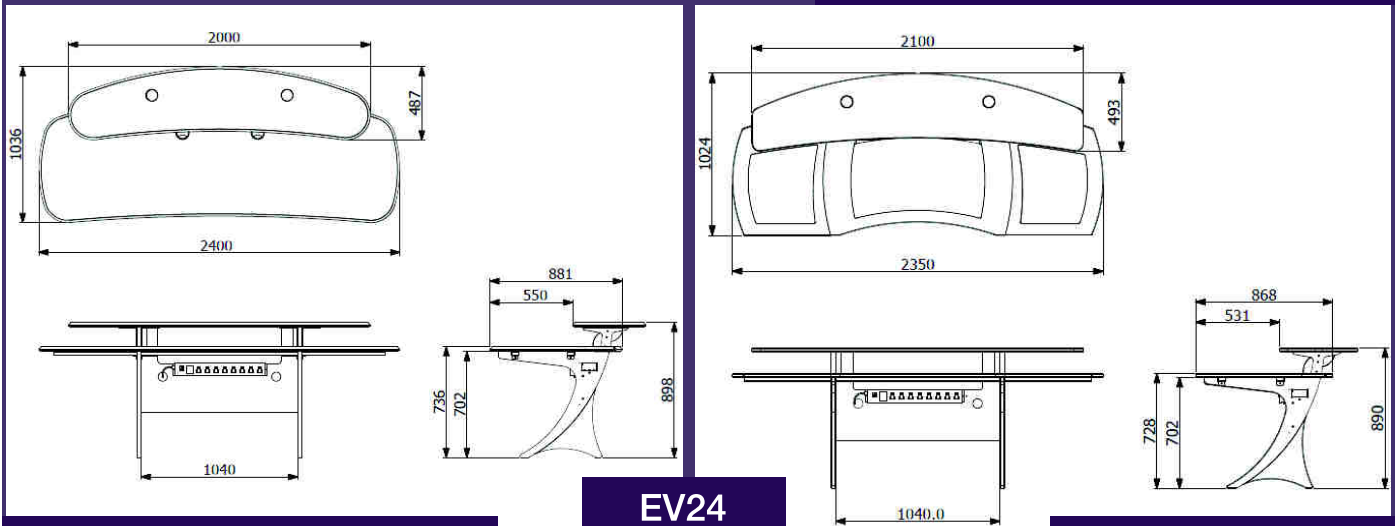
## Worktop finishes



# ELDECO bvba-sprl

Kalkenstraat 91 – 93  
B-8800 ROESELARE (Roulers)  
TEL: 0032/(0)51/24.00.99  
FAX: 0032/(0)51/24.02.57  
Email: [eldeco@eldeco.be](mailto:eldeco@eldeco.be)  
Website: [www.eldeco.be](http://www.eldeco.be) or [www.eldeco-edp.eu](http://www.eldeco-edp.eu)

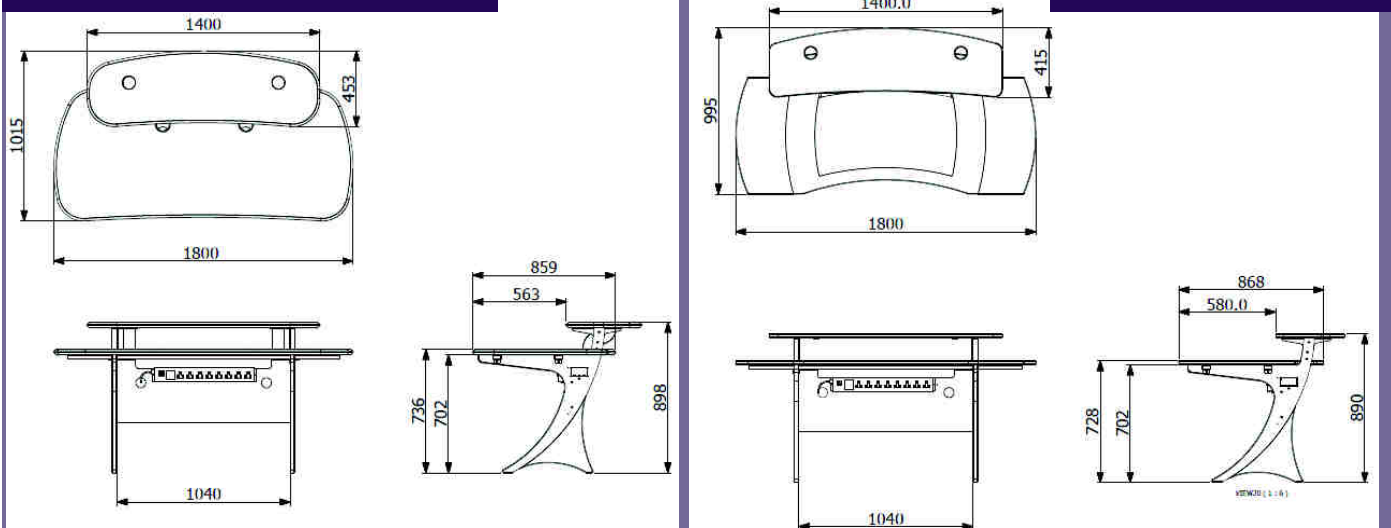
## Desk dimensions



EV24

laminate and marmoleum

nextel/woodgrain



EV18

## Accessories

- 19" rack on castors with optional glass door
- 2u & 3u undershelf 19" rack unit 250mm deep
- 2u, 3u, 4u and 6u underdesk 19" rack unit 500mm deep (for EV24 desk only)
- Underdesk lockable CPU holder
- Novus desk accessories



\*other side insert options available

Call our sales team on

**ELDECO bvba – sprl.**

Kalkenstraat 91 – 93  
B-8800 ROESELARE (Roulers)  
TEL: 0032/(0)51/24.00.99  
FAX: 0032/(0)51/24.02.57  
Email: [eldeco@eldeco.be](mailto:eldeco@eldeco.be)

Website: [www.eldeco.be](http://www.eldeco.be) or [www.eldeco-edp.eu](http://www.eldeco-edp.eu)

LED task lights

19" racks

CPU holders

monitor arms

tablet mounts



**NOVUS**